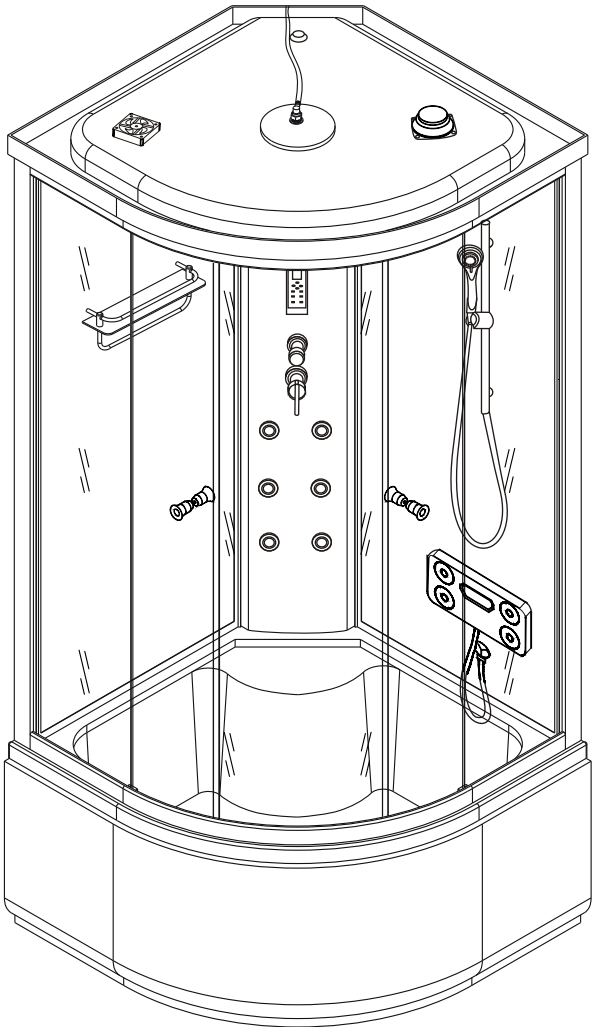
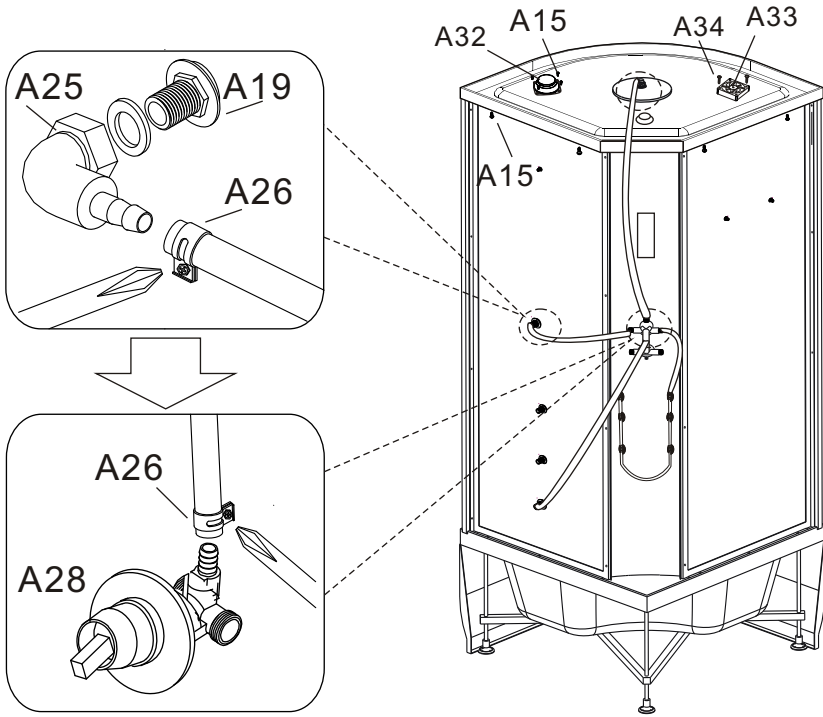
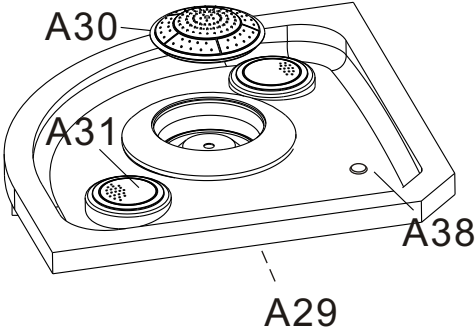


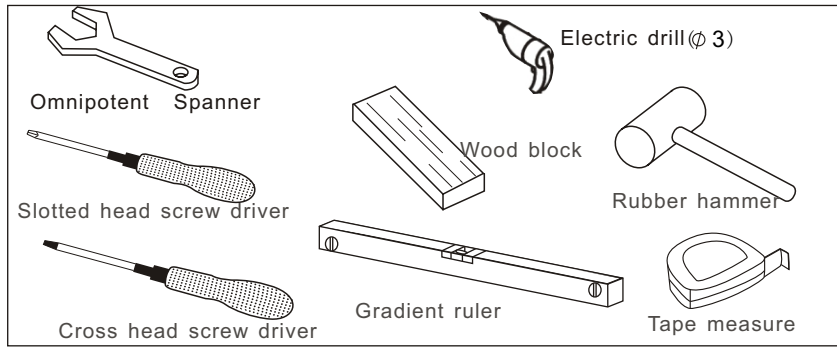
INSTALLATION MANUAL



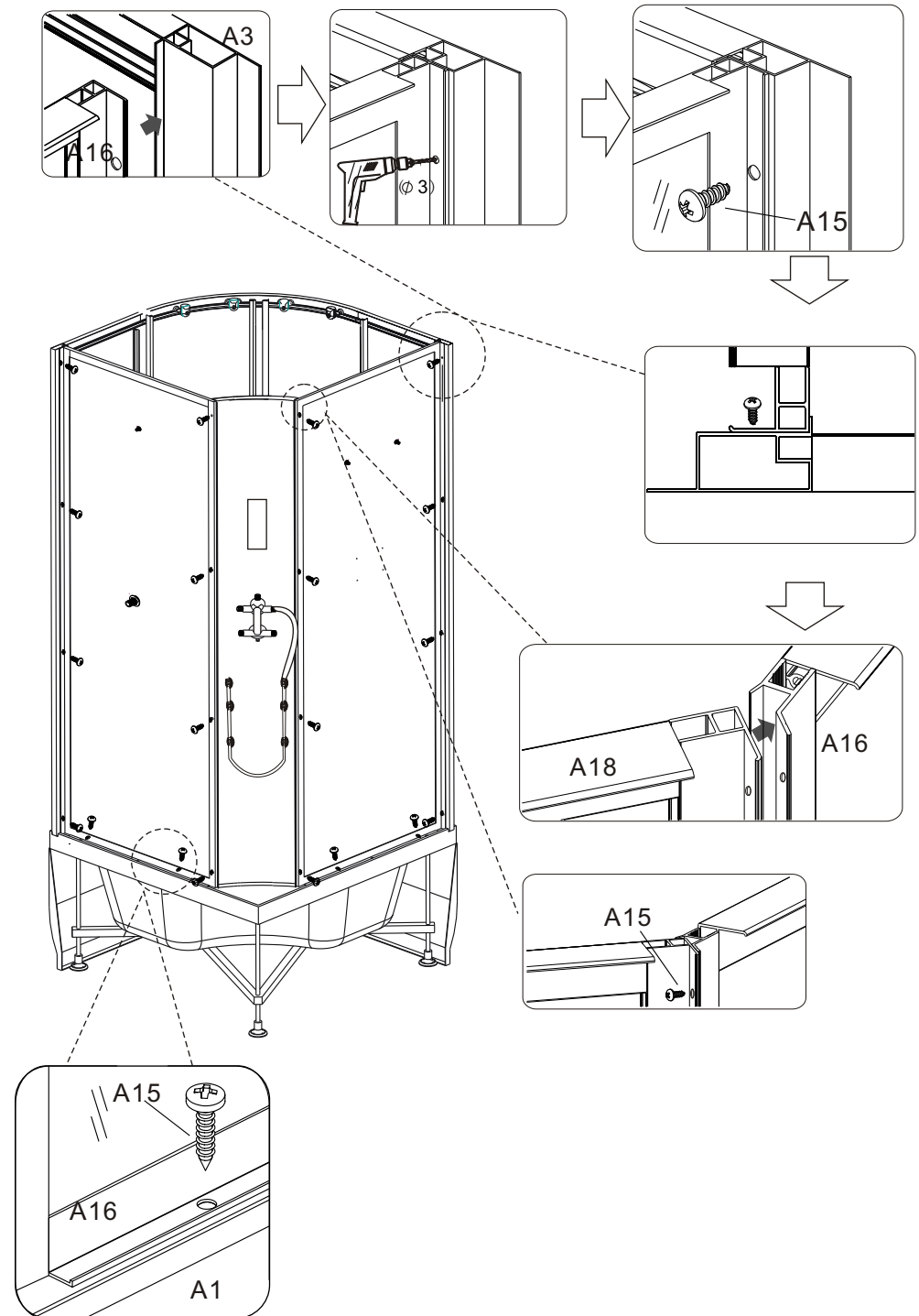
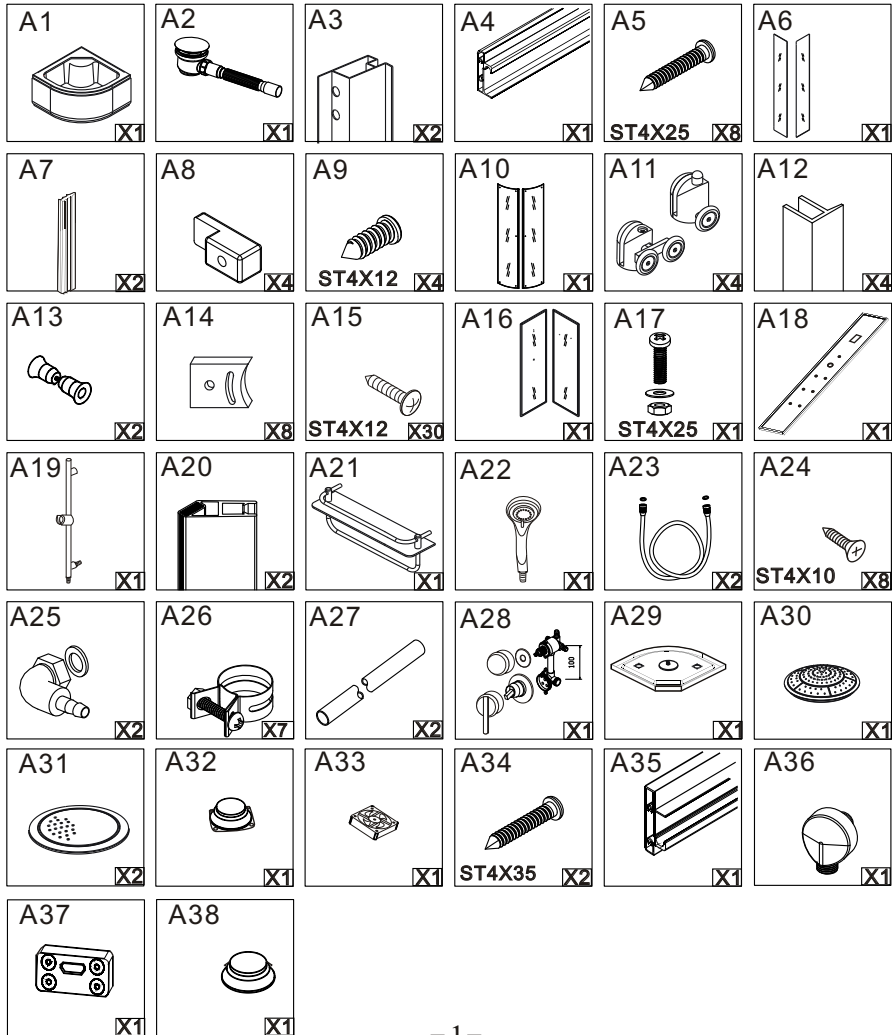
AS-105

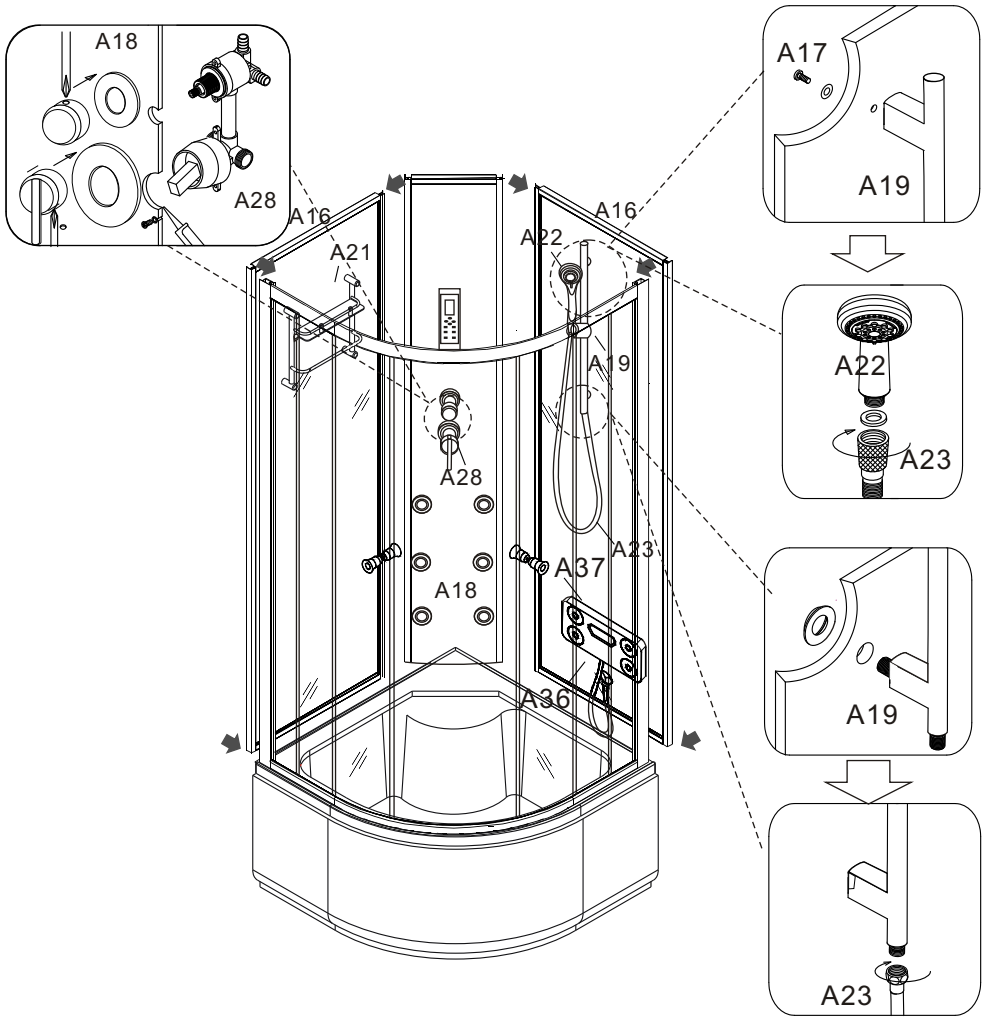
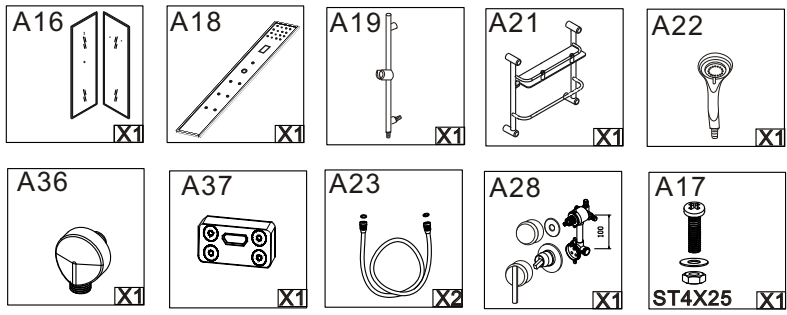
AS-108

## INSTALL TOOL



## MATERIL DETAIL





Water Arrangement Map

